

PLEASE CHECK WWW.MOLEX.COM FOR LATEST PART INFORMATION

Part Number: [0354542902](#)
Status: **Active**
Description: 2.29mm (.090") Diameter MagKrimp™ Pin Cluster Block Connector Terminal, Wire Range CMA 1500-4200

Documents:

[Drawing \(PDF\)](#) [RoHS Certificate of Compliance \(PDF\)](#)
[Product Specification PS-35565-001 \(PDF\)](#)

General

Product Family	Crimp Terminals
Series	35454
Crimp Quality Equipment	Yes
Product Name	MagKrimp™(Magnet Wire)

Physical

Durability (mating cycles max)	30
Gender	Female
Material - Metal	Phosphor Bronze
Material - Plating Mating	Tin
Packaging Type	Reel
Termination Interface: Style	Crimp or Compression
Wire Insulation Diameter	1.00-1.70mm (.039-.067")
Wire Size AWG	N/A
Wire Size mm²	N/A

Material Info

Reference - Drawing Numbers

Product Specification	PS-35565-001
Sales Drawing	SD-35454-002

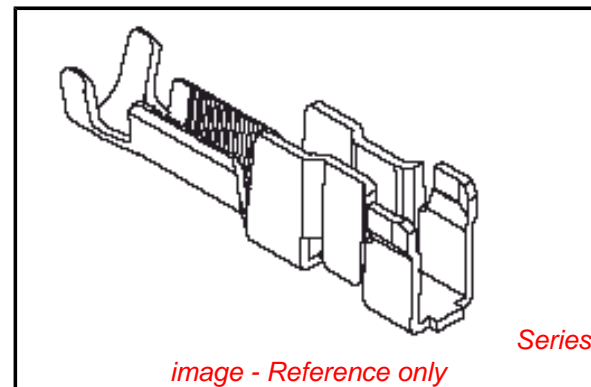


image - Reference only

EU RoHS

ELV and RoHS Compliant
REACH SVHC Contains SVHC: No
Halogen-Free Status

China RoHS



Need more information on product environmental compliance?

Email productcompliance@molex.com
 For a multiple part number RoHS Certificate of Compliance, [click here](#)

Please visit the [Contact Us](#) section for any non-product compliance questions.

Search Parts in this Series

[35454Series](#)

Use With

[35565 Housing](#)

DO NOT SCALE DRAWING
DIMENSION IN METRIC

DWG. NO.
SD-35454-002

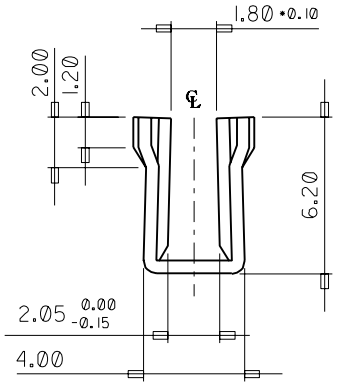
SIMILAR ITEM

PROJECT NO.

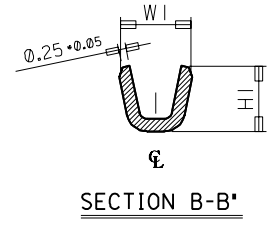
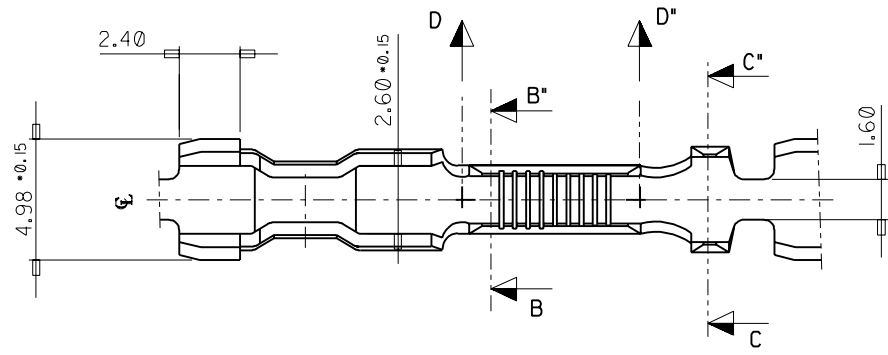
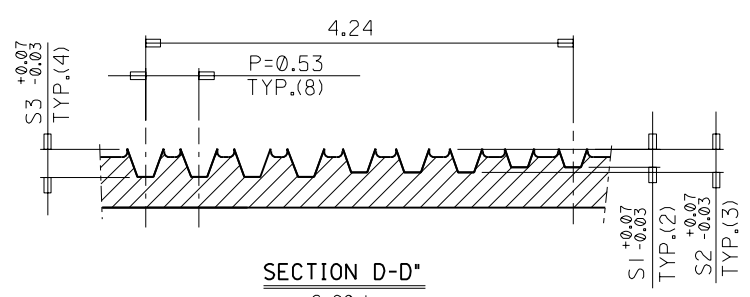
C

B

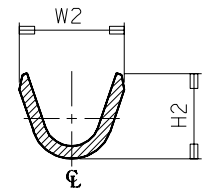
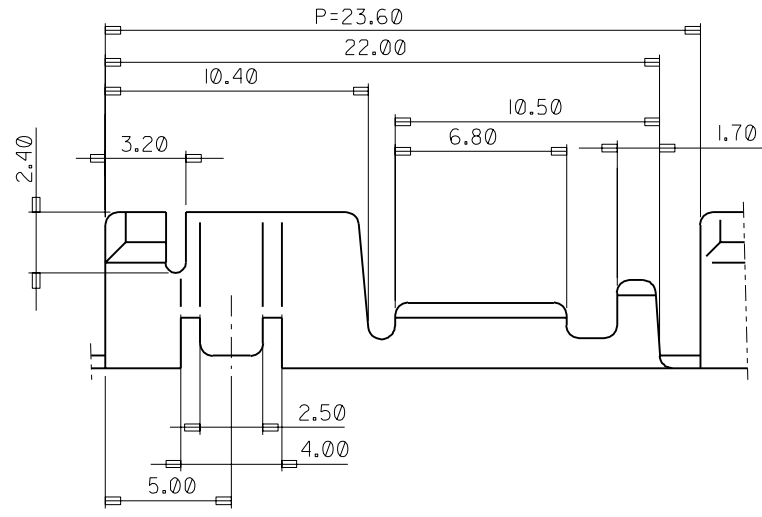
8 7 6 5 4 3 2 1



SECTION D-D'
S=20:1



SECTION B-B'



SECTION C-C'

- NOTES
1. MATERIAL: PHOSPHER BRONZE
Ø.5mm THICK'
 2. FINISH: POST TIN PLATING
 3. MATED PIN DIA.: 2.29mm

ENG.NO.	DIMENSION							WIRE RANGE CMA
	W1	H1	W2	H2	S1	S2	S3	
35454-2702	2.7	2.6	4.2	3.6	Ø.08	Ø.13	Ø.18	1600 400
35454-2902	3.4	4.0	5.1	4.2	Ø.10	Ø.15	Ø.20	4200 1500

NEW RELEASED EC NO. KOR2002-0061 DRAWN: W.Y.YANG 02/01/11 CHK: ABP:R	DESCRIPTION	QUALITY SYMBOLS	GENERAL TOLERANCES: (UNLESS SPECIFIED)	SCALE 5:1	DESIGN UNITS <input checked="" type="checkbox"/> mm <input type="checkbox"/> INCH	THIRD ANGLE PROJECTION	DIMENSIONS: <input type="checkbox"/> mm <input type="checkbox"/> INCH <input checked="" type="checkbox"/> mm ONLY	SHT	REV
		MAJOR = Ø	mm	INCH	DRAWN BY & DATE W.Y.YANG 99/03/18	TITLE: COMP TERMINAL-(S),(L) for 2.29 DIA PIN(MAGNET WIRE)	<input type="checkbox"/> mm <input type="checkbox"/> INCH	REVISE ON CAD ONLY	
A1	REV	CRITICAL = C	4 PLACES	±	CHECKED BY & DATE B.K.CHOI 99/03/18	MOLEX INCORPORATED	MATERIAL NO. SEE TABLE	DRAWING NO. SD-35454-002	SHEET NO. 1 OF 1
		2 PLACES	±0.25	±	APPROVED BY & DATE C.W.LEE 99/03/18				
			1 PLACE	±0.25	CAD FILENAME S35454AB.DGN	THIS DRAWING CONTAINS INFORMATION THAT IS PROPRIETARY TO MOLEX INCORPORATED AND SHOULD NOT BE USED WITHOUT WRITTEN PERMISSION.		MX-A3	